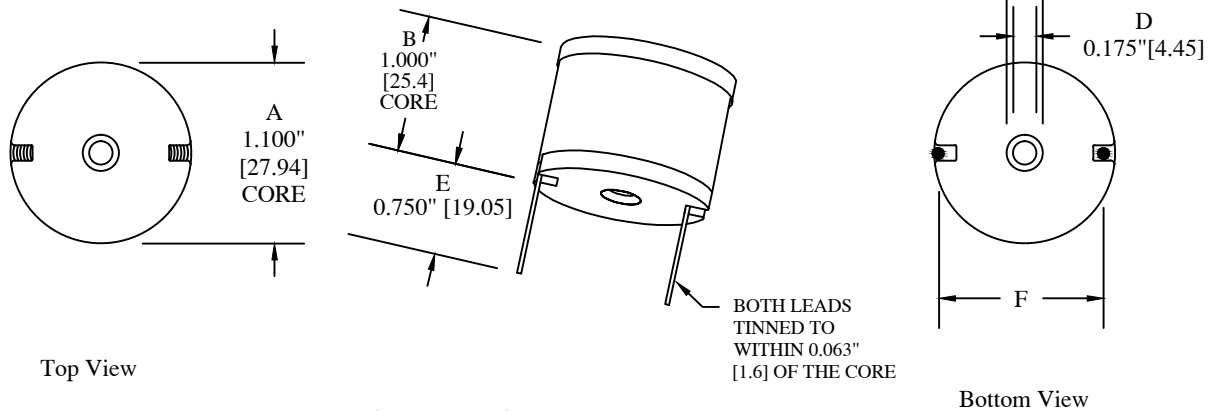


- DRUM CORE POWER INDUCTORS RATED BETWEEN 2.7A - 13.5AD.C. FOR SWITCHMODE POWER SUPPLIES AND OTHER APPLICATIONS.
- INDUCTANCE RANGE FROM 47 μ - 1200 μ H.
- LEADS TINNED TO WITHIN 0.063"[1.6mm] OF THE CORE.



Note: Units mount using a non-metallic #4 screw

ELECTRICAL PARAMETERS					F DIM.
PREM P/N	MAX. DCR	INDUCTANCE	DC AMPS	LEAD SIZE	(CTR - CTR)
SPB-350	0.017 Ω	47 μ H	13.5	14 Gauge	1.030" [26.16]
SPB-351	0.018 Ω	56 μ H	13.5	14 Gauge	1.030" [26.16]
SPB-352	0.023 Ω	68 μ H	10.5	15 Gauge	1.030" [26.16]
SPB-353	0.027 Ω	82 μ H	10.5	15 Gauge	1.030" [26.16]
SPB-354	0.028 Ω	100 μ H	8.5	15 Gauge	1.030" [26.16]
SPB-355	0.041 Ω	120 μ H	8.5	16 Gauge	1.030" [26.16]
SPB-356	0.047 Ω	150 μ H	8.5	16 Gauge	0.930" [23.62]
SPB-357	0.062 Ω	180 μ H	7.0	17 Gauge	0.930" [23.62]
SPB-358	0.069 Ω	220 μ H	7.0	17 Gauge	0.930" [23.62]
SPB-359	0.094 Ω	270 μ H	5.5	18 Gauge	0.930" [23.62]
SPB-360	0.105 Ω	330 μ H	5.5	18 Gauge	0.930" [23.62]
SPB-361	0.117 Ω	390 μ H	5.5	18 Gauge	0.930" [23.62]
SPB-362	0.156 Ω	470 μ H	4.3	19 Gauge	0.930" [23.62]
SPB-363	0.173 Ω	560 μ H	4.3	19 Gauge	0.930" [23.62]
SPB-364	0.249 Ω	680 μ H	3.4	20 Gauge	0.930" [23.62]
SPB-365	0.263 Ω	820 μ H	3.4	20 Gauge	0.930" [23.62]
SPB-366	0.297 Ω	1000 μ H	3.4	20 Gauge	0.930" [23.62]
SPB-367	0.399 Ω	1200 μ H	2.7	21 Gauge	0.930" [23.62]

Notes

ALL DIMENSIONS FOR REFERENCE ONLY

[] = mm

-1 Added mm TJK

PREM

MAGNETICS INCORPORATED
3521 N. CHAPEL HILL RD.
JOHNSBURG, IL 60051

Mech - Elect PREM
PART # SPB 350
THROUGH SPB 367

Approved: TJK

Scale: NONE

Date: 03/24/2003